



***Performance Under Pressure***

PARTS LIST FOR  
***WP-3400-4MHB/RB***

ENGINE OIL GRADE:	
HONDA/SUBARU:	SAE10W-30
ENGINE OIL CAPACITY:	37.2 oz.
PUMP OIL GRADE:	Mi-T-M Pump Oil AW-4085-0016
PUMP OIL CAPACITY:	16 oz.
NOZZLE SIZE:	3.5

This Parts Listing has been compiled for your benefit. You can be assured your Mi-T-M Cold Water Pressure Washer was constructed and designed with quality and performance in mind using over 25 years experience in the pressure washer business. Each component has been rigorously tested to insure the highest level of acceptance.

The contents of this Parts Listing are based on the latest product information available at the time of publication. Mi-T-M reserves the right to make changes in price, color, materials, equipment, specifications or models at any time without notice.

### **WARNING**

THIS IS A HIGH PRESSURE, COLD WATER PRESSURE WASHER. CAUTION SHOULD BE OBSERVED WHEN USING OR REPAIRING THIS UNIT! READ AND FOLLOW THE SAFETY WARNINGS LISTED BELOW BEFORE ATTEMPTING ANY REPAIRS ON THIS PRESSURE WASHER!

### **SAFETY WARNINGS**

1. NEVER alter or modify the equipment. Be sure any accessory items and system components being used will withstand the pressure developed. Use only genuine Mi-T-M parts for repair of your pressure washer. Failure to do so can cause hazardous operating conditions and will VOID warranty.
2. NEVER make adjustments on machinery while the unit is connected to the engine without first removing the ignition cable from the spark plug. Turning over the machinery by hand during adjustment or cleaning might start the engine and machinery with it, causing serious injury to the operator.
3. Know how to stop and bleed pressures quickly. Be thoroughly familiar with controls.
4. Before servicing the unit, turn unit off, relieve the water pressure and allow the unit to cool down. Do not make repairs while the unit is running. Service in a clean, dry, flat area. Be especially careful to properly dispose of any flammable materials.
5. After testing the machine, DO NOT leave the pressurized unit unattended. Shut off the unit and release trapped pressure before leaving.

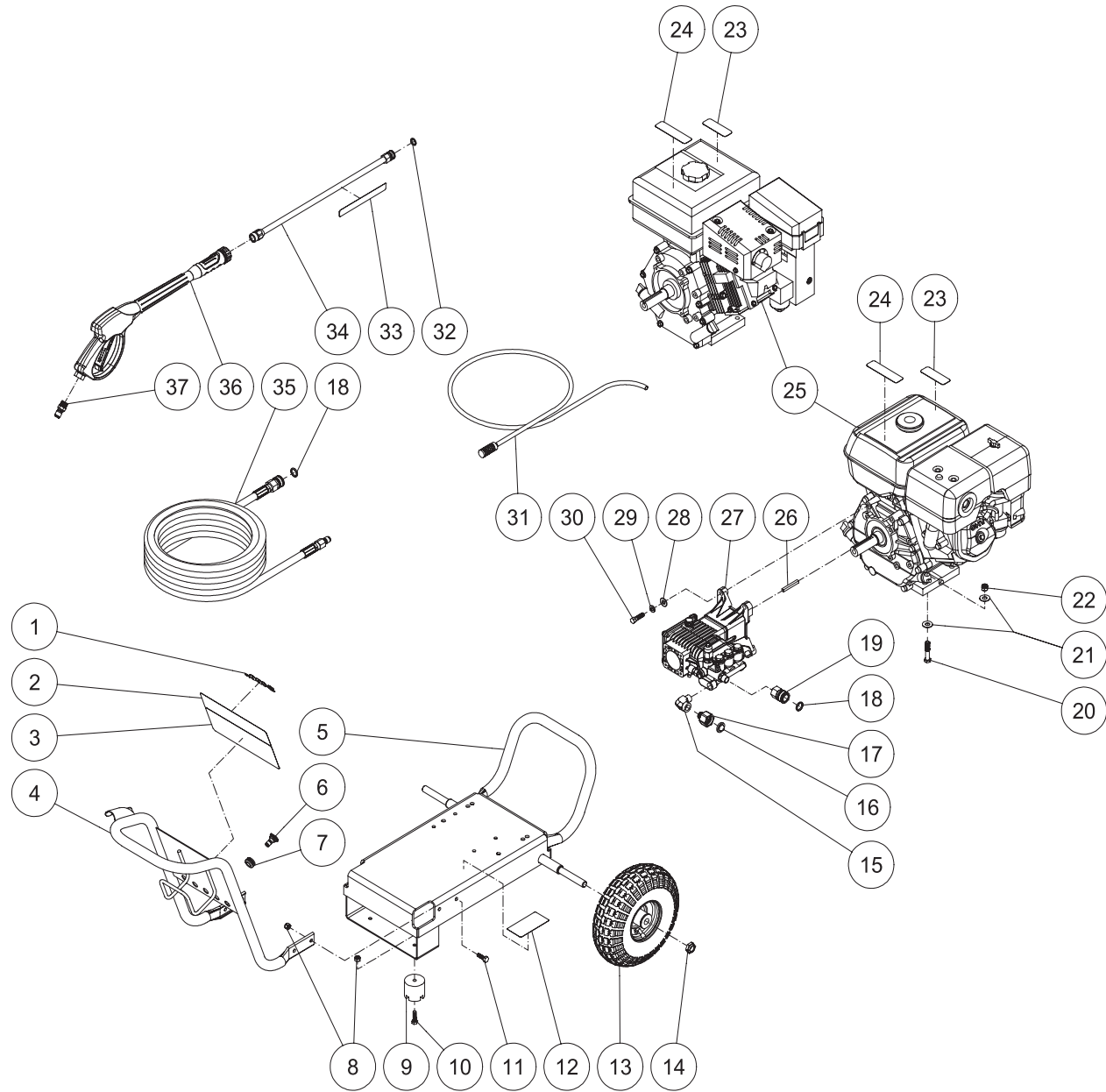
### **Table of Contents**

<b>SPECIFICATIONS</b> .....	<b>3</b>
<b>FRAME ASSEMBLY</b> .....	<b>4</b>
<b>PUMP ASSEMBLY 3-0287</b> .....	<b>6</b>

## SPECIFICATIONS

MODEL NUMBER	WP-3400-4MHB	WP-3400-4MRB
<b>Operating Pressure (PSI/Bar):</b>	3400/234.5	
<b>High Pressure Nozzle:</b>	3.5	
<b>Water Volume (GPM/lpm):</b>	2.8/10.6	
<b>Engine:</b>	Honda	Subaru
Horsepower	9.0	9.0
Engine Type	4 Stroke, Overhead Valve, Single Cylinder	4 Stroke, Overhead Cam, Single Cylinder
Oil Type	SAE10W-30	
Oil Capacity (oz./liters)	37.2/1.1	
Fuel Type	Unleaded Gasoline 86 Octane Minimum	
Low Oil Protection	Oil Alert™	Oil Sensor
Fuel Capacity (gallon/ liters)	1.6/6.0	
Starting	Recoil	
Maximum No Load RPM	3600 (+/- 100) RPM	
<b>Pump:</b>	Direct Driven, Oil Bath, Triplex Piston	
Oil Type	Mi-T-M Pump Oil AW-4085-0016	
Oil Capacity (oz./liters)	16/47	
Plungers	Ceramic Coated	
Manifold	Forged Brass	
Valves	Stainless Steel	
Unloader	Preset	
Heat Dump Valve	Relieves heated water during unloader bypass stage	
Detergent Injector	Low pressure down stream from pump	
<b>Unit Net Weight (lbs/Kg)</b>	130/59	
<b>Unit Shipping Weight (lbs/Kg)</b>	180/81.6	
<b>Unit Net Dimension (in/cm)</b>	40Lx22.5Wx24.5H/101.6Lx57.2Wx62.23H	
<b>Unit Shipping Dimension (in/cm)</b>	32.5Lx22.5Wx28.5H/82.6Lx57.2Wx65.6H	

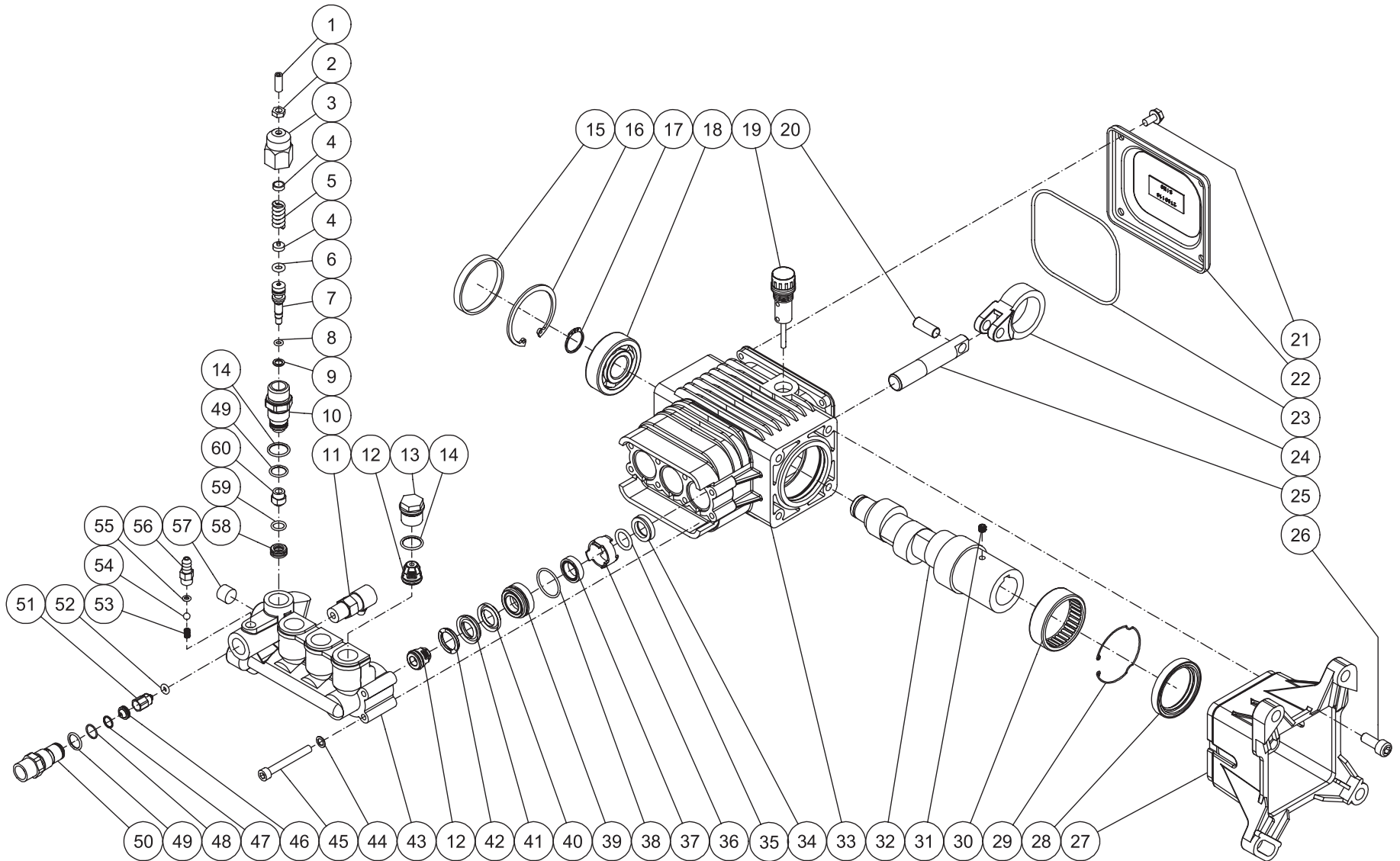
# FRAME ASSEMBLY



WP-3400-4MHB\_RB-011207-JJT

FRAME ASSEMBLY FOR WP-3400-4MHB_RB							
REF. #	DESCRIPTION	PART #	QTY.	REF. #	DESCRIPTION	PART #	QTY.
1	Decal- Die Cut 3400	34-1885	1	20	Bolt	27-0121	4
2	Decal- Work Pro Placard	34-0737	1	21	Flatwasher	28-0023	8
3	Decal- Warning/Caution/Operation (See 34-9014)	N/A Sep.	1	22	Locknut	30-0159	4
4	Front Handle Assy	7-0194A01	1	23	Decal- Caution: Risk of Fire(See 34-9014)	N/A Sep.	1
5	Frame	5-0253A53	1	24	Decal- Warning: Muffler Hot (See 34-9014)	N/A Sep.	1
6	Nozzle- 1503.5	18-0258	1	25	Engine- 9.0 H.P. Honda	1-0162	1
-	Nozzle- 2503.5	18-0259	1	-	Engine- 9.0 H.P. Subaru	1-0134	1
-	Nozzle- 6540	18-0148	1	26	Key	43-0078	1
7	Grommet	33-0001	5	27	Pump	3-0287	1
8	Locknut	30-0157	10	28	Washer	28-0022	4
9	Isolator	14-0008	2	29	Lockwasher	29-0008	4
10	Bolt	27-0068	2	30	Bolt	27-0118	4
11	Bolt	27-0067	4	31	Detergent Strainer	19-0233	1
12	Decal- Data Plate	N/A	1	32	O-ring (Replacement Only)	25-0122	-
13	Wheel	14-0113	2	33	Decal- Warning: Risk of Injection (See 34-9014)	N/A Sep.	1
14	Nut	30-0117	2	34	Lance Assembly	16-0366	1
15	Elbow	24-0105	1	35	Pressure Hose	15-0270	1
16	Inlet Filter	19-0001	1	36	Gun/Wand Assembly	16-0441	1
17	Garden Hose Swivel	23-0096	1	37	Quick Connect	17-0005	1
18	O-ring (Replacement Only)	25-0123	2		Safety Decal Kit (Inc. 3, 23-24, 33)	34-9014	
19	Quick Connect	17-0004	1	*Must Order in One Foot Lengths			

# PUMP ASSEMBLY 3-0287



3-0287-101007-JJT

PUMP ASSEMBLY (3-0287)											
REF. #	DESCRIPTION	PART #	QTY.	REF. #	DESCRIPTION	PART #	QTY.	REF. #	DESCRIPTION	PART #	QTY.
1	Set Screw	27-9596	1	23	O-ring	25-0317	1	45	Screw	27-9598	8
2	Nut	30-6024	1	24	Connecting Rod	46-0720	3	46	Orifice	46-1250	1
3	Barrel	8-0551	1	25	Piston	46-1247	3	47	O-ring	25-0500	1
4	Button- Spring	8-0501	2	26	Screw	27-9597	4	48	O-ring	25-0596	1
5	Unloader Spring	49-0157	1	27	Flange	46-1244	1	49	O-ring	25-0407	2
6	O-ring	25-0526	1	28	Oil Seal	26-0192	1	50	Detergent Injector	46-1251	1
7	Unloader Piston	8-0565	1	29	Retaining Ring	46-0667	1	51	Non Return Valve	46-1249	1
8	O-ring	26-0163	1	30	Bearing	48-0059	1	52	O-ring	25-0406	1
9	Back-up Ring	25-0589	1	31	Screw	27-8886	1	53	Spring	8-0520	1
10	Piston Guide	8-0585	1	32	Crankshaft	46-0717	1	54	Ball	8-0521	1
11	Thermal Relief Valve	22-0408	1	33	Pump Housing	46-1243	1	55	O-ring	25-0371	1
12	Valve Assembly	-	6	34	Oil Seal	26-01963	3	56	Barb Hose	46-0869	1
13	Valve Cap	39-0362	3	35	O-ring	25-0305	3	57	Plug	39-0363	1
14	O-ring	25-0159	4	36	Spacer	46-1248	3	58	Unloader Seat	8-0586	1
15	Bearing cap	46-0725	1	37	Seal	46-0727	3	59	O-ring	25-0255	1
16	Snap ring	46-0676	1	38	O-ring	25-0399	3	60	Unloader- By Pass Jet	8-0528	1
17	Snap ring	46-0732	1	39	Packing Retainer	46-1108	3		Injector Repair (Inc. 1 each 53-55)	70-0293	
18	Ball Bearing	48-0063	1	40	Ring	-	3		Valves (Inc. 6 each 12)	70-0456	
19	Oil Dipstick	39-0090	1	41	Packing	-	3		Pistons (Inc. 3 each 25)	70-0457	
20	Piston Pin	46-0721	3	42	Support Ring	-	3		Water Seals (Inc. 3 each 35, 37, 38, 40, 41)	70-0458	
21	Screw	27-8874	4	43	Pump Head	46-1246	1		Oil Seals (Inc. 1, 1, 1, 3 each 15, 23, 28, 34)	70-0459	
22	Pump Rear Cover	46-1245	1	44	Lockwasher	29-0153	8		Support Ring (Inc. 3 each 42)	70-0460	
									Unloader (Inc. 1, 2, 1, 1, 1, 1 each 1-3, 4, 5-40, 14, 49, 57-59)	70-0461	

Manufactured by Mi-T-M  
8650 Enterprise Drive, Peosta IA 52068  
563-556-7484/ Fax 563-556-1235